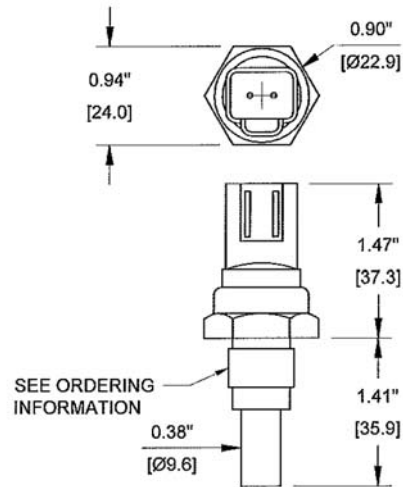


TSS Temperature Sender



Model **TSS** Temperature Sender is ideally suited for use in engines, pumps, compressors, gearboxes and other applications where resistance to the elements is the primary consideration. It is used in conjunction with either a temperature gauge or an ECU (Engine Control Unit) to sense the temperature of your application. The TSS provides fast, accurate temperature response through a thermistor that is located in the tip of the probe protruding from the main body of the unit. A reliable electrical connection, Deutsch DT 2-way connector is rated at IP69.

ELECTRICAL:
5V Nominal

PROTECTION:
IP69 (When connected to mating plug)

RESISTANCE TOLERANCE:
+/- 10%

INSULATION TYPE:
Isolated Ground

BODY MATERIAL:
Brass

ENVIRONMENT TEMPERATURE:
-40°F to +257°F (-40° to +125°C)

TIGHTENING TORQUE:
Refer to Torque Specifications on Page 42

WEIGHT:
.08 lbs (0.03 kg)

| TYPE | TEMPERATURE °F (°C) | 77 (25) | 104 (40) | 122 (50) | 140 (60) | 158 (70) | 176 (80) | 194 (90) | 212 (100) | 230 (110) |
|------|---------------------|---------|----------|----------|----------|----------|----------|----------|-----------|-----------|
| A | RESISTANCE OHMS | 500 | 282.1 | 197.6 | 140 | 101.5 | 74.6 | 55.6 | 41.9 | 32 |
| B | RESISTANCE OHMS | 2000 | 1070 | 722.6 | 497.6 | 349 | 248.8 | 179.9 | 131.8 | 98 |
| C | RESISTANCE OHMS | 300 | - | 121 | 87.4 | 64.4 | 48.2 | 36.7 | 28.3 | - |
| D | RESISTANCE OHMS | 8000 | - | 2765 | 1868 | 1284 | 898 | 636.6 | 457.7 | 334.1 |

ORDERING INFORMATION

| TSS | - D | - 8M |
|-------|-----------------|---|
| Model | Type | Port Size |
| TSS | See Chart Above | 2M - 1/8" NPT 4M - 1/4" NPT 8M - 1/2" NPT 8S - 3/4-16 SAE M16 - M16 X 1.5 |