

PVS

Sensors Inc.®



*Special Pricing
50% off
List Price for the
Month of March
USE PROMO CODE
PVS0318*

Switch of the Month EPA/EPF Series

EPA/EPF Adjustable High Pressure Switch

- 1.5 – 6000 PSI Range
- Available in Spade, Flying Leads and Integral Deutsch terminations
- Factory Set or Field Adjustable
- 9000 psi Maximum Overpressure
- Creep action switch
- Buna-N, (Standard) Diaphragm
(Optional: Viton®, Kapton, EPDM, Low Temp Nitrile)
- Various Port Sizes
- Zinc-Nickel Plated Steel Housing
(Optional: 316 Stainless Steel)



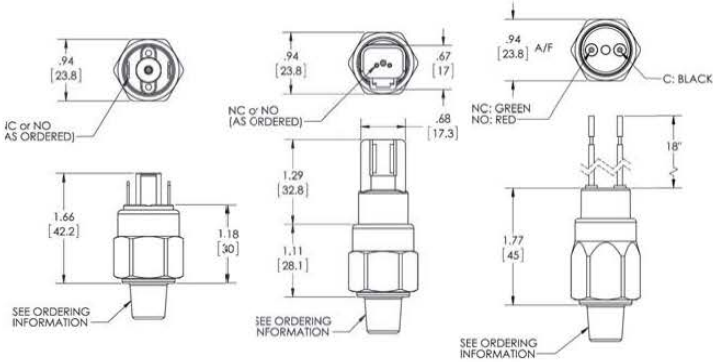
2810 Blue Ridge Blvd.
PO Box 100
West Union, SC 29696
Ph: 864-638-5544
www.pvsensors.com



Call Toll Free: 800-988-1276



EPA/EPF Pressure Switch



Spade

Deutsch Integral

Flying Leads

Model	Adjustment Range		Avg. Differential
	PSI	Bar	
1	1.5 - 30	0.10 - 2.0	Less than 10% of Actuation Point
1A	14.5 - 200	1.0 - 14	
2	125 - 600	8 - 40	
3	300 - 2500	20 - 170	
4	3000 - 6000	207 - 414	
5	500 - 3500	35 - 240	

ELECTRICAL:

100 VA Max Voltage 42 VDC
Gold contacts may be required for less than 12 VDC and 20 milliamp.

WETTED MATERIAL:

Diaphragm: Buna-N (Standard)
(optional EPDM, KAPTON®, VITON®
Low Temperature Nitrile)
Housing: Zinc-Nickel Plated Steel
(optional Steel - Electroless Nickel
Plated, 316 Stainless Steel)

PROTECTION:

Exposed Terminals - IP00
Flying Leads & Deutsch Integral - IP69

REPEATABILITY:

± 3% of full set point range at 70°F (21°C)
Ambient Temperature

SWITCH TYPE:

Creep Action

MECHANICAL LIFE:

1,000,000 cycles

TEMPERATURE RANGE:

Buna - N: -15° to +230°F (-26° to 110°C)
EPDM: -10° to +250°F (-23° to 121°C)
KAPTON®: -40° to +230°F (-40° to 110°C)
VITON®: 0° to +250°F (-18° to 121°C)
(® Registered Trademark of DuPont)
Low Temp Nitrile: -40° to +230°F (-40° to 110°C)

MAXIMUM OVERPRESSURE:

9000 PSI (620 Bar)

WEIGHT:

0.15 lbs (0.07 kg)

ORDERING INFORMATION

EPA	- * 2	- * R	- 4M	- A	- FL	- * 1
Model	Set Point	Direction	Port Size	Circuit	Terminal	Options
EPA - Field Adjustable	See Above Adjustment Ranges	R - PSI Rising F - PSI Falling BR - Bar Rising BF - Bar Falling	2M - 1/8 NPT 4M - 1/4 NPT 2G - 1/8 BSPP 4G - 1/4 BSPP (undercut for an o-ring seal) 4GS - 1/4 BSPP (no undercut)	A - SPST / NO B - SPST / NC	SP - 1/4 x 1/32 Spade TS - 6 -32 Terminal Screws FL - 18" Flying Leads FLWTF - Weatherpack Tower Female FLWTM - Weatherpack Tower Male FLWSF - Weatherpack Shroud Female FLWSM - Weatherpack Shroud Male DI - Deutsch Integral	* - Omit If Standard 1 - VITON® Diaphragm 2 - EPDM Diaphragm 3 - KAPTON® Diaphragm * * Ranges 1A & 2 Only 15 - Low Temp Nitrile Dia 4 - 316 SS Housing 4A - Steel - Electroless Nickel Plated 5 - Spiral Restrictor 6 - Oxygen Cleaned 7 - Gold Contacts
EPF - Factory Set	*Model EPF Specify Set Point Required	*Omit for Model EPA	4S - 7/16x20 SAE MALE 8S - 9/16x18 SAE MALE M10 - M10x1 * M12 - M12x1.5 * *Consult Factory for Specials.			