

*Special Pricing
50% off
List Price for the
Month of February
USE PROMO CODE
PVS0218*

Switch of the Month AVA/AVF Vacuum Series

AVA/AVF Vacuum Switch

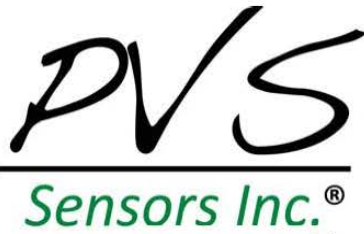
- 5 – 28 In Hg Range
- Field Adjustable or Factory Set
- 350 psi Maximum Overpressure
- Snap action micro switch
- Buna-N, (Standard) Diaphragm
(Optional: Viton®, Kapton, EPDM)
- Various Port Sizes
- Brass Housing
(Optional: Electroless Nickel Plated or 316 Stainless Steel)



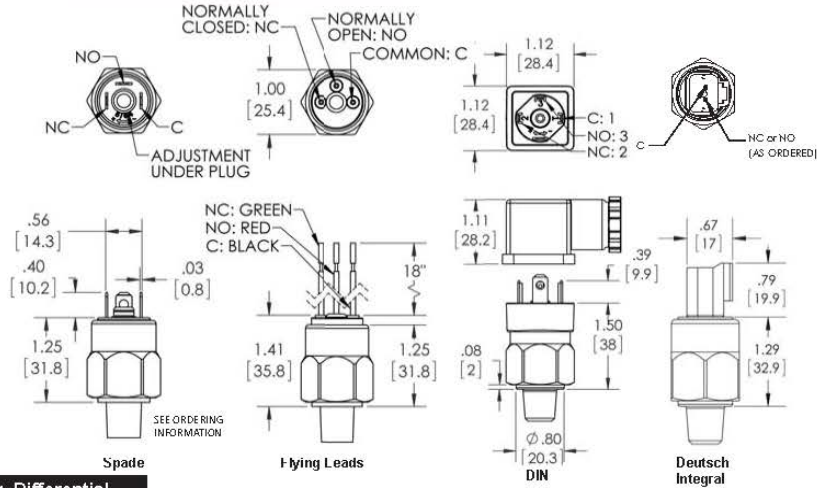
2810 Blue Ridge Blvd.
PO Box 100
West Union, SC 29696
Ph: 864-638-5544
www.pvssensors.com



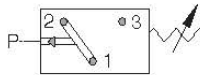
Call Toll Free: 800-988-1276



AVA/AVF Vacuum Switch



Model	Adjustment Range		Avg. Differential	
	in Hg	MilliBar	in Hg	MilliBar
1	5 - 28	170 - 950	4 - 6	135 - 200



ELECTRICAL:

Standard: 5A, 125V/250VAC - U.L. Recognized*
 5A, 12/24VDC - U.L. Recognized*
 Option -7: 0.2A, 60VDC - U.L. Recognized*
 Gold contacts may be required for less than 12 VDC and 20 milliamps

MANUFACTURER'S OTHER RATING:

5A @ 40VDC

WETTED MATERIAL:

Diaphragm: Buna-N (standard)
 (optional EPDM, KAPTON®, VITON®)
 Housing: Brass
 (optional 316 Stainless Steel)

PROTECTION:

Exposed Terminals - IP00
 DIN HC - IP65
 Flying Leads, M12, Deutsch Integral - IP69

REPEATABILITY:

± 2% of full set point range at 70°F (21°C)
 Ambient Temperature

SWITCH TYPE:

Snap Action

MECHANICAL LIFE:

1,000,000 cycles

TEMPERATURE RANGE:

Buna - N: -15° to +230°F (-26° to 110°C)
 EPDM: -10° to +250°F (-23° to 121°C)
 KAPTON®: -40° to +230°F (-40° to 110°C)
 VITON®: 0° to +250°F (-18° to 121°C)
 (® Registered Trademark of DuPont)

MAXIMUM OVERPRESSURE:

350 PSI (24 Bar)

WEIGHT:

0.08 lbs (0.04 kg)

ORDERING INFORMATION

AVA	- * 1	- * R	- 4M	- A	- FL	- * 1
Model	Set Point	Direction	Port Size	Circuit	Terminal	Options
AVA - Field Adjustable	See Above Adjustment Ranges	R - Rising F - Falling MBR - Millibar Rising MBF - Millibar Falling	2M - 1/8 NPT 4M - 1/4 NPT 2G - 1/8 BSPP 4G - 1/4 BSPP (undercut for an o-ring seal) 4GS - 1/4 BSPP (no undercut) 4S - 7/16X20 SAE MALE 4SW - 7/16X20 SAE Swivel 6S - 9/16X18 SAE MALE M10 - M10X1 M12 - M12X1.5	A - SPST / NO B - SPST / NC C - SPDT	SP - 1/4" x 1/32" Spade TS - 6-32 Terminal Screws FL - 18" Flying Leads FLWTF - Weatherpack Tower Female FLWTM - Weatherpack Tower Male FLWSF - Weatherpack Shroud Female FLWSM - Weatherpack Shroud Male H - DIN 43850A Male Half Only HC - DIN 43850A Cable Clamp HN - DIN 43850A 1/2 Conduit (female) HCC - XXX (Specify Length in Inches) HC11A - DIN Light NO/NC 110V HC11B - DIN Light NO/NC 12VDC HC11C - DIN Light NO/NC 24VDC HC11D - Indicating Light Green/Red DI - Deutsch Integral M12 - M12 X 1	* - Omit If Standard 1 - VITON® Diaphragm 2 - EPDM Diaphragm 2W - EPDM Diaphragm (WRAS) 3 - KAPTON® Diaphragm 4 - 316 SS Housing 5 - Spiral Restrictor 6 - Oxygen Cleaned 7 - Gold Contacts UL - UL Recognized** **For Selected Models Only - Consult Factory 12 - WRAS Approved
AVF - Factory Set	*Model AVF Specify Set Point Required	*Omit For Model AVA	Consult Factory for Non-Standard			