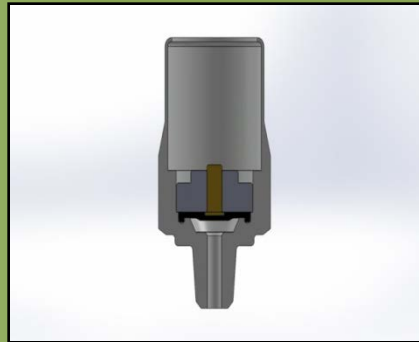


## Did you know that PVS Sensors.....

- Offers various diaphragm materials such as Buna, Viton, EPDM and **Low Temp Nitrile**, etc to be compatible with different materials and temperatures.



- Offers various electrical connections such as **Weather packs**, **Lighted Dins**, **Molded in Cables**, **M12 Cable Assemblies**, etc. to increase compatibility with a broad range of customer requirements.





# NEWS & NOTES

December 2017  
Issue 27

## Are you looking for Hand Adjustable Pressure Switches? Here is our BMA/BMF series



- Available in 3 Pressure Ranges from 10 psi to 7500 psi
- Maximum Overpressure of 25,000 psi
- Available in Various Port Sizes
- Available in Various Electrical terminations to suit your requirements as well as optional diaphragms

### CALL 1-800-988-1276 FOR MORE DETAILS

**E-mail Contact**

**Information:**

President:

Brian Lyles

[brianl@pvssensors.com](mailto:brianl@pvssensors.com)

**Sales:**

[sales@pvssensors.com](mailto:sales@pvssensors.com)

Mark Berger

[markb@pvssensors.com](mailto:markb@pvssensors.com)

Lisa Burdette

[lisab@pvssensors.com](mailto:lisab@pvssensors.com)

**Engineering:**

Alex Adams

[alexa@pvssensors.com](mailto:alexa@pvssensors.com)

PVS Sensors Inc

2810 Blue Ridge Blvd

PO Box 100

West Union, SC 29696

Toll Free: 800-988-1276

Phone: 864-638-5544

Fax: 864-638-0005

Website: [www.pvssensors.com](http://www.pvssensors.com)



**Please Note:**

Our complete catalog can be accessed at [www.pvssensors.com](http://www.pvssensors.com)

## Ask the Editor:

Please submit all questions / correspondence to: [brianl@pvssensors.com](mailto:brianl@pvssensors.com)