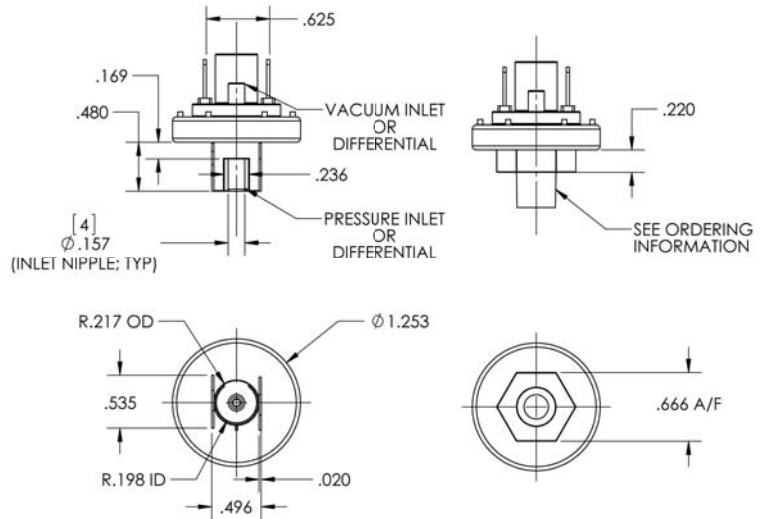


# DPA / DVA / DDA Multi Function Pressure / Vacuum / Differential Switch



Model **DPA** series is a multi function **PRESSURE, VACUUM and DIFFERENTIAL** switch designed specifically for low pressure applications. The switch design affords a stable set point with a very low differential and is rated at both DC and AC applications. The switch can function as a Pressure, Vacuum and Differential switch when used with non hazardous gases but only as a Pressure Switch when used with Oil or Water. The **DPA** compact switch extends the product range now available from PVS Sensors, Inc.

**ELECTRICAL:**

2.5(0.5)A - 250V 4A - 24 VDC  
8A - 12 VDC 15A - 6 VDC  
Gold Contacts are available for low DC voltage/low amperage applications

**ADJUSTABLE PRESSURE RANGE:**

**DPA/DPF** Pressure: 0.22 to 36 psi (15 to 2500 mBar)  
(See ordering information for Set Point Ranges)  
**DVA/DVF** Vacuum : 0.5 to 25 in HG (17 to 825 mBar)  
**DDA/DDF** Differential: Adjustable within the above specified ranges

**MEDIA:**

Non-Hazardous Gas, Water or Oil  
(Pressure Switch **ONLY** for Water and Oil applications)

**WETTED MATERIAL:**

Housing: Glass Filled Nylon  
Diaphragm: Molded Silicone

**SWITCH TYPE:**

Creep Action

**PROTECTION:**

IP00

**TEMPERATURE RANGE:**

-22° to +180°F (-10° to +90°C)  
Ambient

**MAX OPERATING PRESSURE:**

45 PSI (3000 mBar)

**WEIGHT:**

.05 lbs (0.023 kg)

## ORDERING INFORMATION

DPA	- 1 *	- R *	- 3	- A	- A	- *
Model	Set Point	Direction	Port Size	Circuit	Termination	Options
DPA DVA DDA Field Adjustable DPF DVF DDF Factory Set	Pressure: 1 - 0.22 to 1.2 psi (15 - 80 mbar) 2 - 1.2 to 3 psi (80 - 200mbar) 3 - 2 to 7 psi (150 - 500mbar) 4 - 6 to 12 psi (400 - 800mbar) 5 - 10 to 17 psi (700- 1200mbar) 6 - 14.5 to 36 psi(1000- 2500mbar) Vacuum : 0.5 to 25 in HG (17 to 825 mBar) (Call Factory for ranges ) Differential: Adjustable within the above specified ranges *Specify Set point for DPF, DVF & DDF	R - Rising F - Falling  * Omit for Models DPA, DVA & DDA	1 - G1/8 Male (P) 2 - M10 X 1 Male (P) 3 - 4mm OD tube(P/V) 4 - 1/8" NPT Male(P)	A - Normally Open B - Normally Closed	A - 4.8mm Spade Terminals B - 6.3mm Spade Terminals	* Omit if Standard 7 - Gold Contacts